

KBU6005 THRU KBU610

Single Phase 6.0 AMPS. Glass Passivated Bridge Rectifiers

Voltage Range 50 to 1000 Volts Current 6.0 Amperes

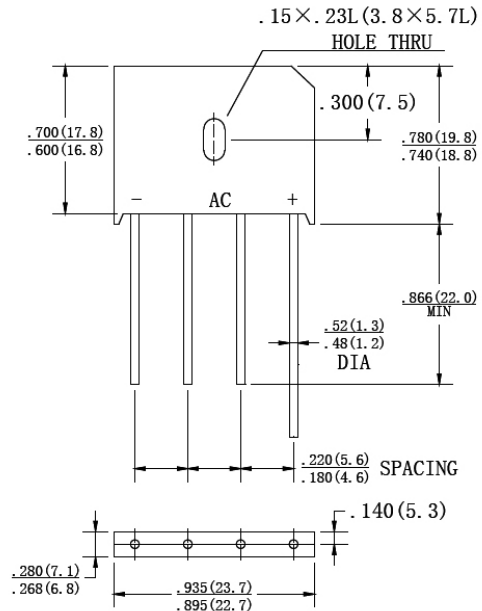
KBU

FEATURES

- ◆ Ideal for printed circuit board
- ◆ Reliable low cost construction technique results in inexpensive product
- ◆ High temperature soldering guaranteed:
260°C / 10 seconds / 0.375" (9.5mm)
lead length at 5 lbs., (2.3 kg) tension
- ◆ UL Recognized File number: E347214

MECHANICAL DATA

- ◆ Case: Molded plastic
- ◆ Lead: solder plated
- ◆ Polarity: As marked



Dimensions in inches and (millimeters)

MAXIMUM RATINGS AND ELECTRICAL CHARACTERISTICS

Rating at 25°C ambient temperature unless otherwise specified.

Single phase, half wave, 60Hz, resistive or inductive load. For capacitive load, derate current by 20%

	SYMBOLS	KBU 6005	KBU 601	KBU 602	KBU 604	KBU 606	KBU 608	KBU 610	UNITS
Maximum Repetitive Peak Reverse Voltage	V _{RRM}	50	100	200	400	600	800	1000	V
Maximum RMS Voltage	V _{RMS}	35	70	140	280	420	560	700	V
Maximum DC Blocking Voltage	V _{DC}	50	100	200	400	600	800	1000	V
Maximum Average Forward Rectified Current at T _A =65°C	I _(AV)	6.0							A
Peak Forward Surge Current, 8.3ms Single Half Sine-wave Superimposed on Rated Load (JEDEC method)	I _{FSM}	175							A
Maximum Instantaneous Forward Voltage at 6.0A	V _F	1.0							V
Maximum DC Reverse Current @ T _A =25°C Rated DC Blocking voltage per leg T _A =125°C	I _R	5.0 500							μA
Typical Thermal Resistance (Note1) (Note2)	R _{θJA} R _{θJC}	8.6 3.1							°C/W
Operating Temperature Range	T _J	-55 to +150							°C
Storage Temperature Range	T _{STG}	-55 to +150							°C

Note: 1. Thermal Resistance from Junction to Ambient with units in Free Air, P.C.B. Mounted on 0.5×0.5" (12×12mm) Copper Pads, 0.375" (9.5mm) Lead Length.

2. Thermal Resistance from Junction to Case with units Mounted on 2.6×1.4×0.06" Thick (6.5×3.5×0.15cm) Al. Plate.

KBU6005 THRU KBU610

RATING AND CHARACTERISTIC CURVES KBU6005 THRU KBU610

FIG.1-MAXIMUM NONO-REPETITIVE FORWARD SURGE CURRENT PER BRIDGE ELEMELNT

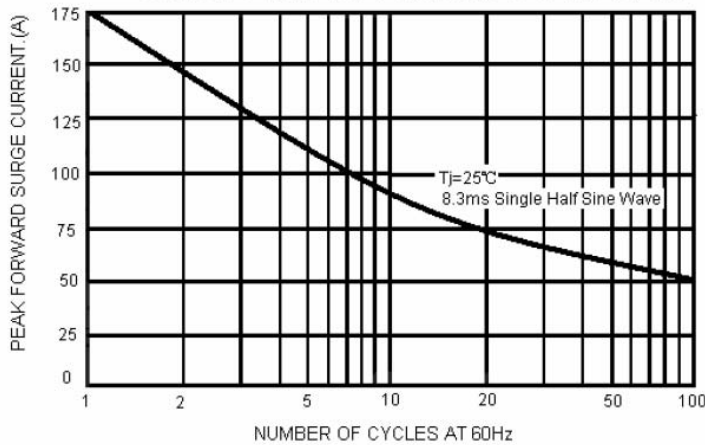


FIG.2-MAXIMUM FORWARD CURRENT DERATING CURVE

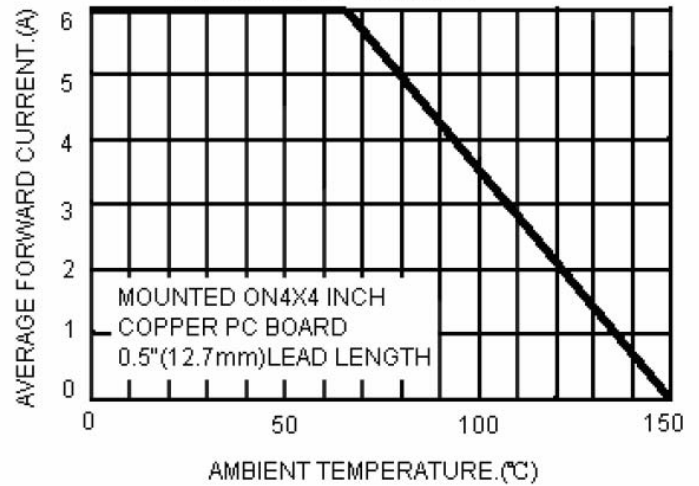


FIG.3-TYPICAL INSTANTANEOUS FORWARD CHARACTERISTICS PER BRIDGE ELEMENT

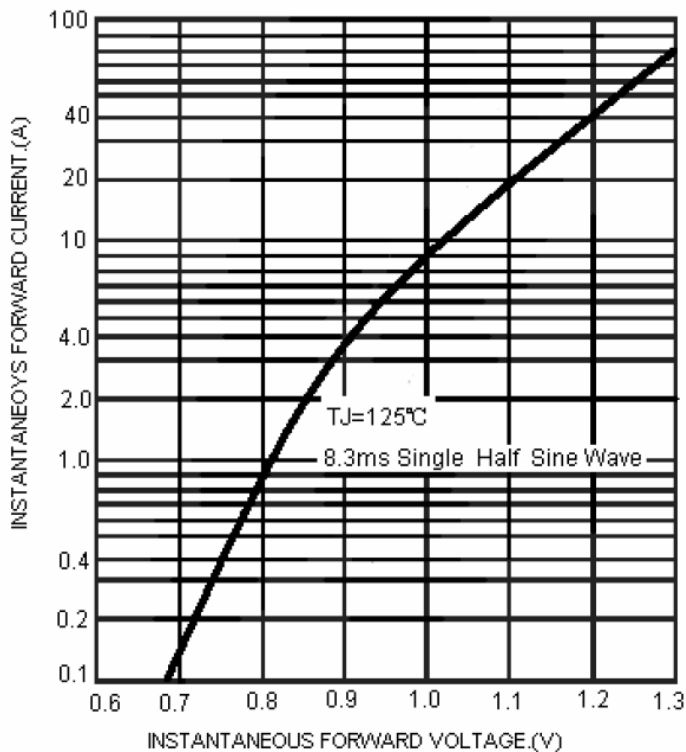
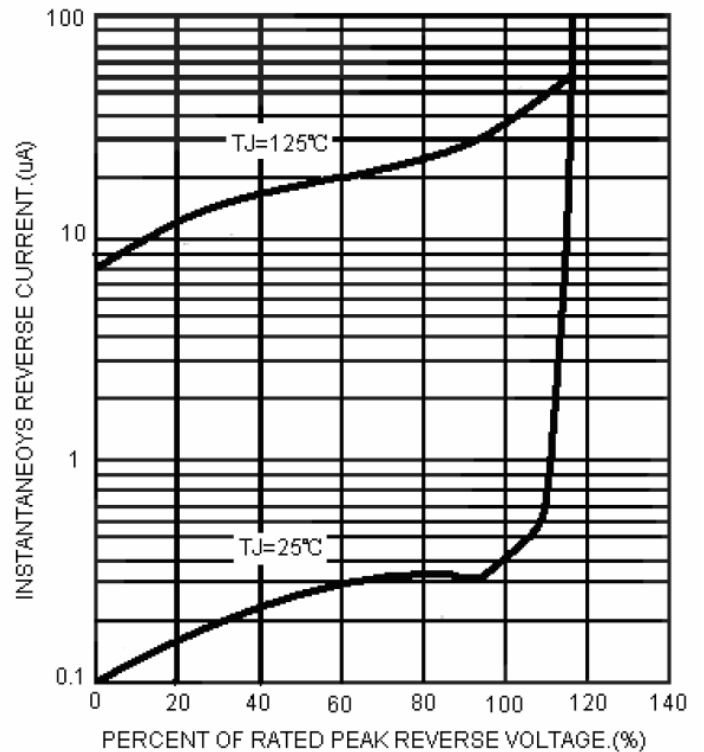


FIG.4-TYPICAL REVERSE CHARACTERISTICS PER BRIDGE ELEMENT



Note: Specifications are subject to change without notice.