



**ATTENTION**  
 OBSERVE PRECAUTIONS  
 FOR HANDLING  
 ELECTROSTATIC  
 DISCHARGE  
 SENSITIVE  
 DEVICES

**BN-LLG-3528WB108G14-V**

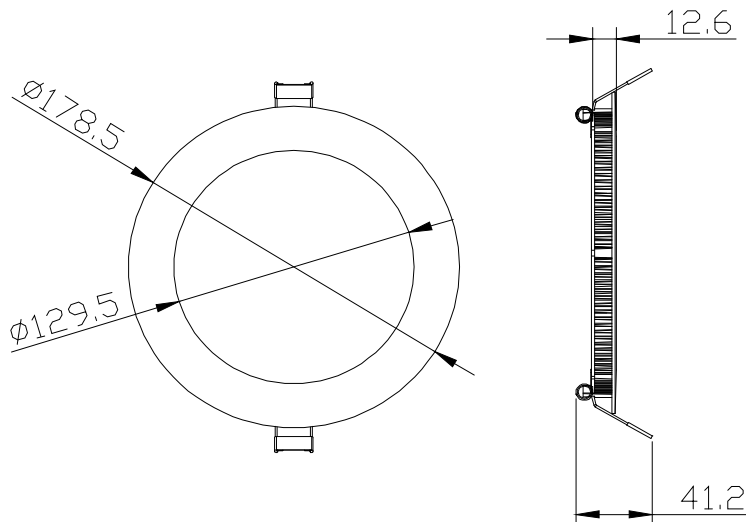
**White**



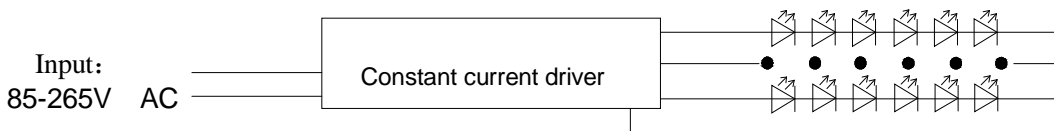
**Features**

- Size:  $\phi 180 \times 12 \text{mm}$  (108 LEDS)
- Net weight: 325g
- LED package: 3528
- Printed circuit board thickness: 0.2mm
- PCB material: FPC
- Light diffuser: PMMA 2mm
- Input voltage: 85~265V AC
- Working voltage: 18V DC.
- Working current: 320 mA
- Power factor:  $0.55 \pm 0.05$  (With power)
- LED view angle ( $2\theta_{1/2}$ ):  $120^\circ$ .
- Cold-rolled plate as the bottom with aluminum + PMMA cover
- Power supply can be replaced separately , Energy-saving, high brightness, long lifespan, environmental protection, safe, free of mercury and other harmful material
- Easy for installation

**Dimension (Unit:mm)**



**Circuit diagram**



### Absolute maximum rating at TA=25°C

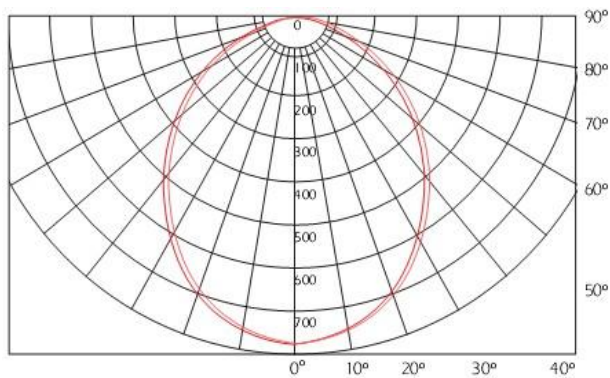
Input voltage(AC)	85~265	V
Working current	320	mA
Working voltage(DC)	18	V
Power	7.5	W
Luminous flux	400±50	Lm
Color temperature	5500-7500	K
Dimensions	φ180*12	mm
Working temperature	- 30 ~ 50	°C
Storage humidity	10 % ~ 90 %	RH

### Illumination table

Height	1m	2m	2.5m	3m
LUX	162	43	30	20

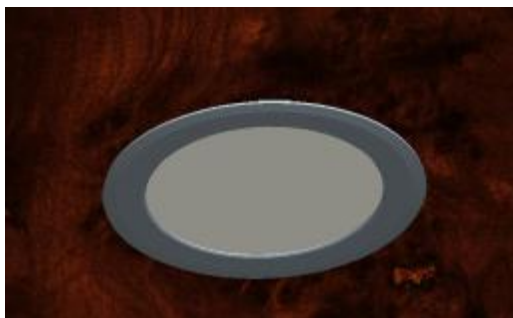
The above parameters are for reference only, are subject to change without further notice.

### Photometric curve



### Installation

Mosaic



### Connection with power supply

Then 85V-265V AC



### Package



1 pcs



1pcs / carton

Note: please contact with our company for lamp maintance,or consult professional lighting engineer.