



ATTENTION
 OBSERVE PRECAUTIONS
 FOR HANDLING
 ELECTROSTATIC
 DISCHARGE
 SENSITIVE
 DEVICES

BN-LLG-3528WB153G16-V

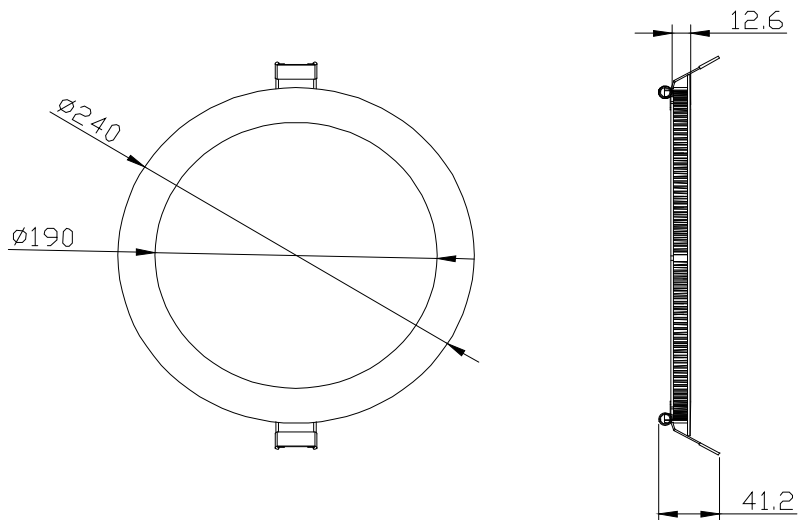
White



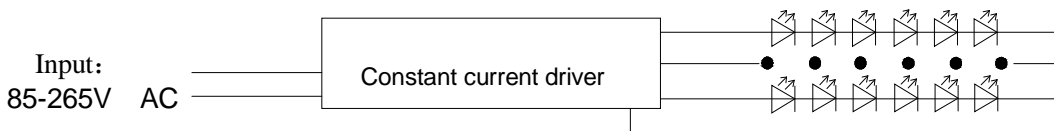
Features

- Size: $\phi 240 \times 12\text{mm}$ (153 LEDS)
- Net weight: 570g
- LED package: 3528
- Printed circuit board thickness: 0.2mm
- PCB material: FPC
- Light diffuser: PMMA 2mm
- Input voltage: 85~265V AC
- Working voltage: 27V DC.
- Working current: 320 mA
- Power factor: 0.95 ± 0.05 (With power)
- LED view angle ($2\theta_{1/2}$): 120° .
- Cold-rolled plate as the bottom with aluminum + PMMA cover
- Power supply can be replaced separately , Energy-saving, high brightness, long lifespan, environmental protection, safe, free of mercury and other harmful material
- Easy for installation

Dimension (Unit:mm)



Circuit diagram



Absolute maximum rating at TA=25°C

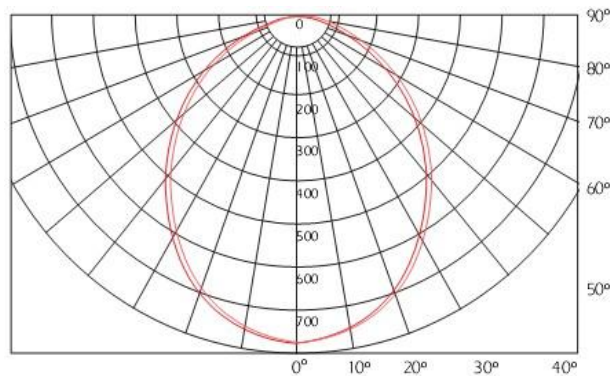
Input voltage(AC)	85~265	V
Working current	320	mA
Working voltage(DC)	27	V
Power	12.1	W
Luminous flux	600±50	Lm
Color temperature	5500-7500	K
Dimensions	φ240*12	mm
Working temperature	- 30 ~ 50	°C
Storage humidity	10 % ~ 90 %	RH

Illumination table

Height	1m	2m	2.5m	3m
LUX	328	91	60	42

The above parameters are for reference only, are subject to change without further notice.

Photometric curve



Installation

Mosaic



Connection with power supply

Then 85V-265V AC



Package



1 pcs



1pcs / carton

Note: please contact with our company for lamp maintance,or consult professional lighting engineer.